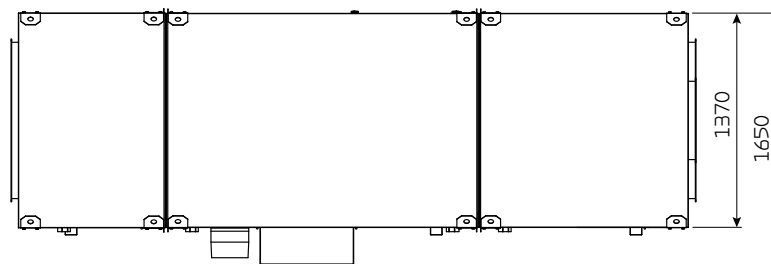
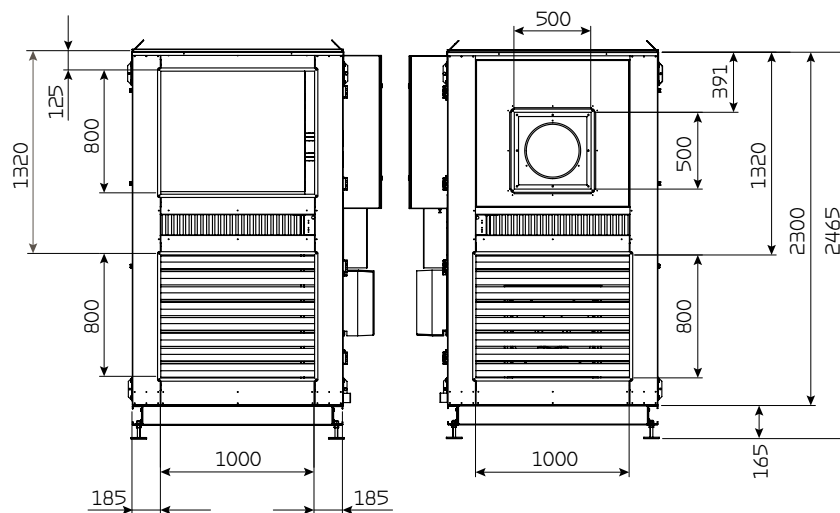
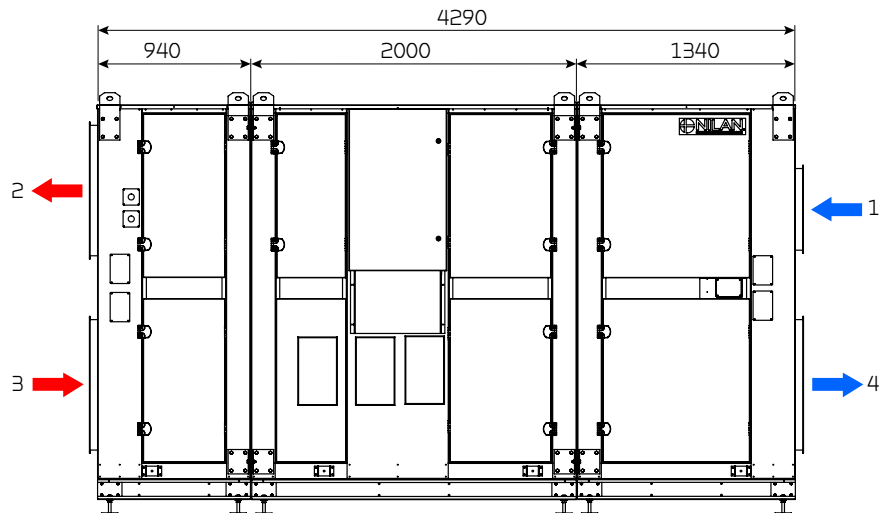


VPM800 Cleanroom

Dimensional drawing



- Connections:**
- 1. Outdoor air
 - 2. Supply air
 - 3. Extract air
 - 4. Discharge air