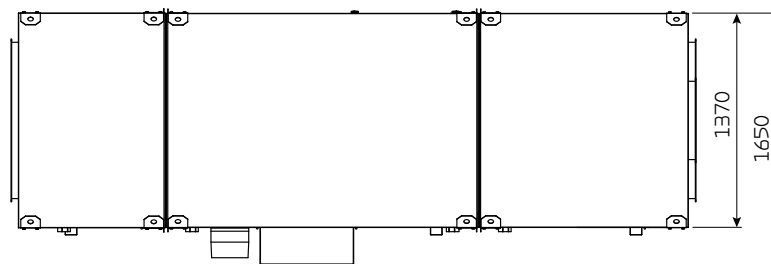
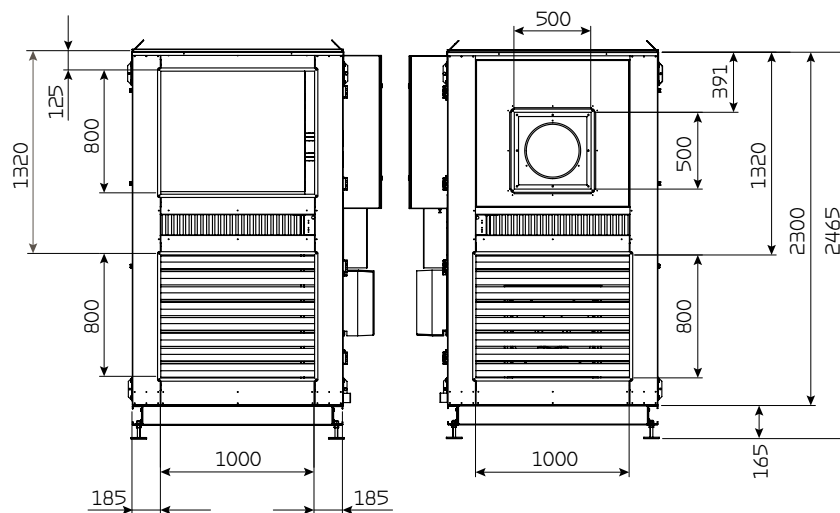
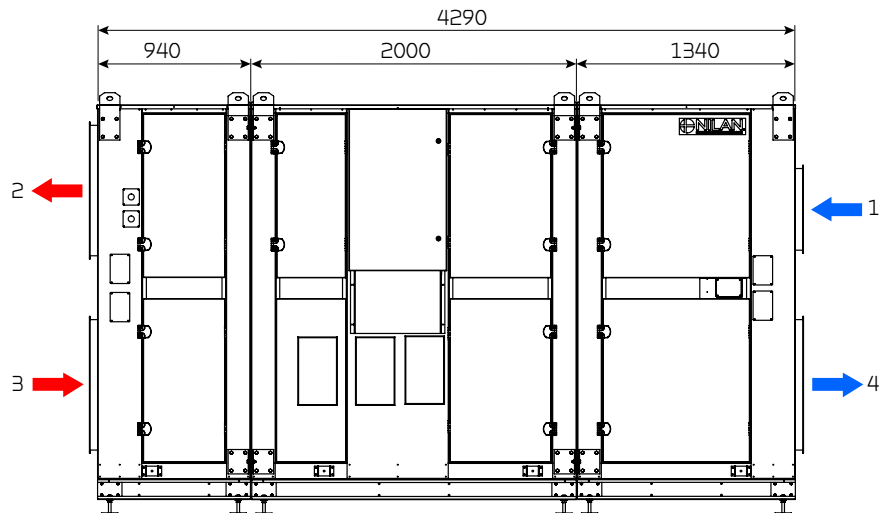


# VPM1000 Cleanroom

## Dimensional drawing



- Connections:**
1. Outdoor air
  2. Supply air
  3. Extract air
  4. Discharge air