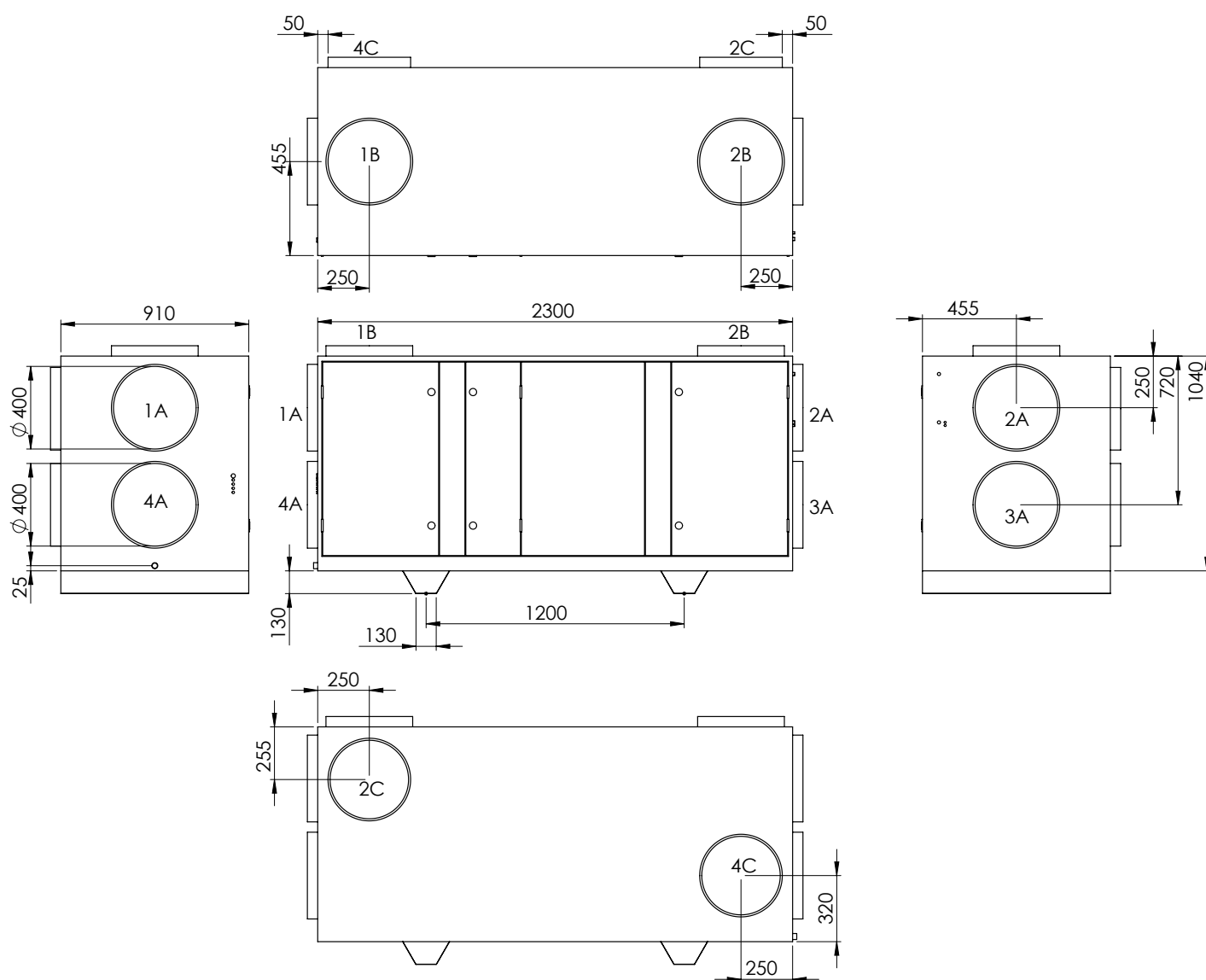


# VPR240

## Dimensional drawing (Right version)



### Connections

1. Outdoor air
2. Supply air
3. Extract air
4. Discharge air

- A. Gable location
- B. Top location
- C. Rear location