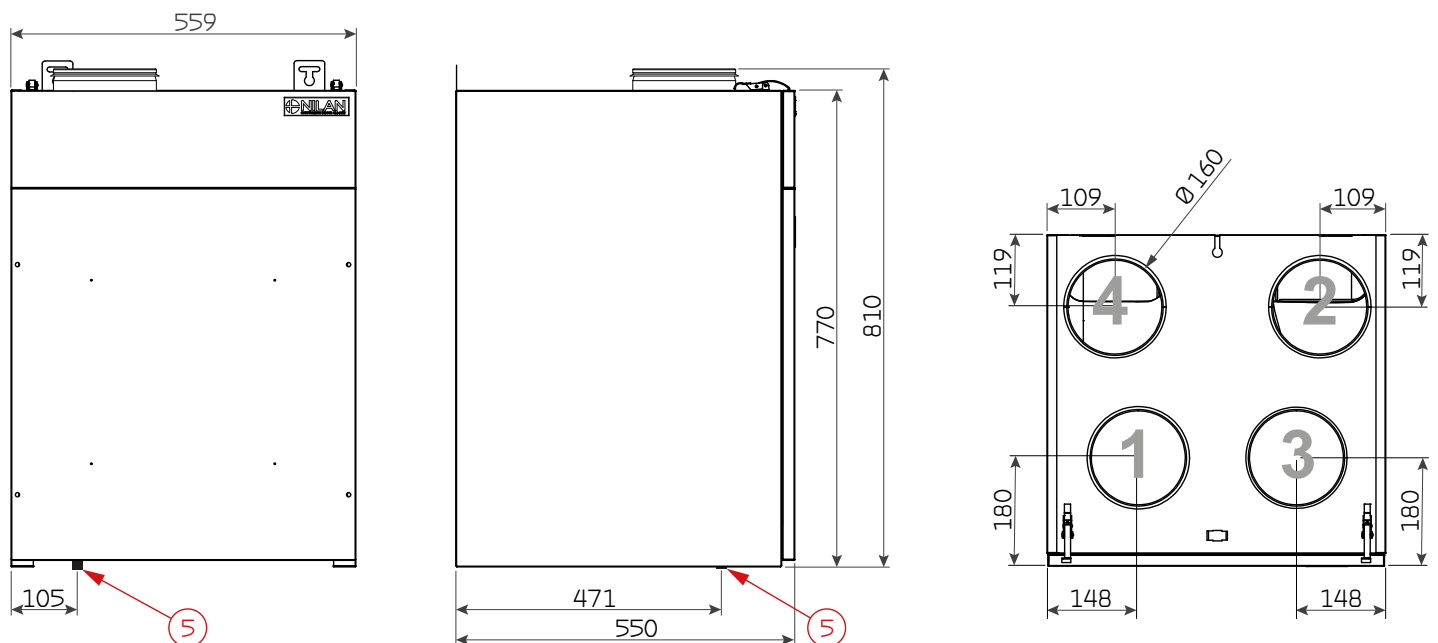


Comfort 250 Top Polar

Dimensional drawing (Right version)



Connections:

1. Outdoor air
2. Supply air
3. Extract air
4. Discharge air
5. Condensate drain