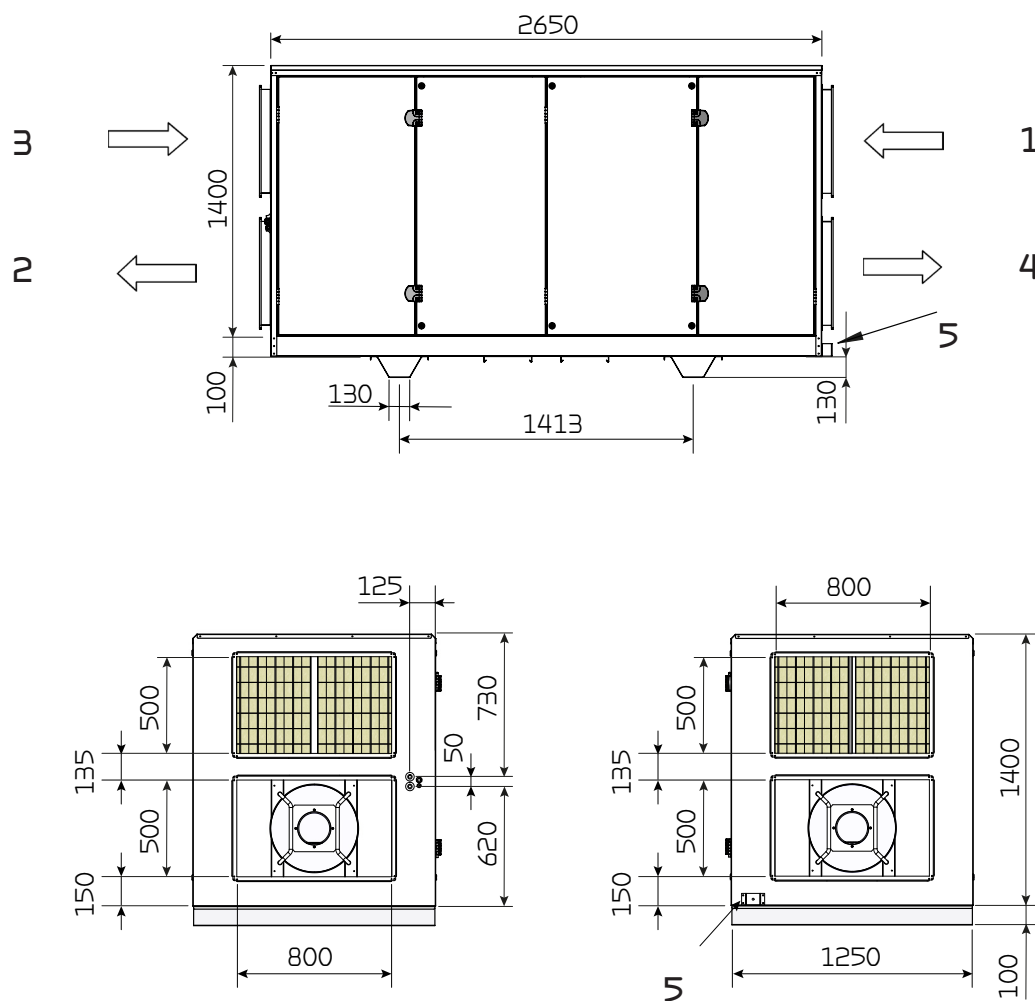


Comfort 5000

Dimensional drawing (Left version)



Connections:

- 1: Fresh air
- 2: Supply air
- 3: Extract air
- 4: Discharge air
- 5: Condensate drain